

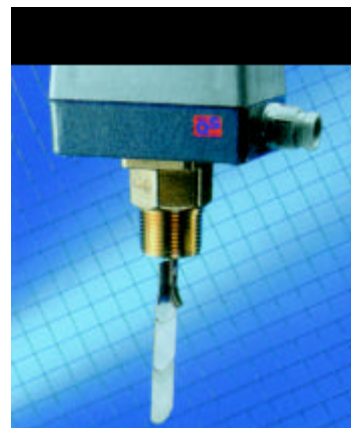
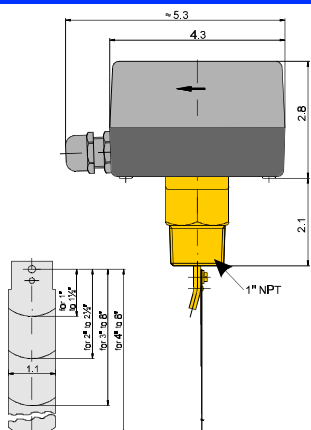
SIKA-Flow Switch

**Consistent performance
robust - universally insertable**



Paddle-Flow Switch VH 780 for Liquids

- Easy installation through direct installation into existing pipe
- One unit useable for a wide range of pipe sizes (diameter 1" ... 8")
- Two versions (set point ranges)
- Adjustable set point
- Micro switch for high contact rating
- Max. pressure rating 280 psi (st. steel)
- Max. pressure rating 156 psi (brass)
- Insertion thread - 1" NPT Male



Set point ranges and technical data

Pipe size	Target plate to select [Inch]*	Set point ranges H ₂ O [GPM] *			
		ON		OFF	
		VH 780 NI	VH 780 NIF	VH 780 NI	VH 780 NIF
1"	1.1 x 1.3	4.4 ... 9	2.6 ... 5	2.6 ... 9	0.9 ... 4.5
1¼"	1.1 x 1.3	5.6 ... 13	3.9 ... 7	3.5 ... 12	1.1 ... 6
1½"	1.1 x 1.3	7.3 ... 17	5.2 ... 10	4.8 ... 16	2.1 ... 8.2
2"	1.1 x 2.4	13 ... 26	10 ... 18	10 ... 25	3.9 ... 15
2½"	1.1 x 2.4	17 ... 30	14 ... 24	12 ... 28	5.2 ... 21
3"	1.1 x 3.5	27 ... 50	21 ... 36	18 ... 46	9.1 ... 32
4"	1.1 x 6.5, shortened	35 ... 80	33 ... 56	26 ... 75	14 ... 50
5"	1.1 x 6.5, shortened	55 ... 116	50 ... 85	40 ... 110	21 ... 75
6"	1.1 x 6.5, shortened	73 ... 140	61 ... 103	53 ... 130	26 ... 93
8"	1.1 x 6.5	200 ... 400	160 ... 270	170 ... 390	94 ... 240

* Higher set points selectable by use of smaller paddle sizes.

Technical data	
Max. pressure rating	156 psi (brass), 280 psi (st. steel)
Max. medium temperature	248 °F
Max. ambient temperature	185 °F
Change over contact max. contact rating	250 VAC, max. 15 A, 8 A inductive load
Protection class	IP 65 NEMA 4X

Material	set point	order code
Brass	standard	VH 780 NN
	low	VH 780 NNF
Stainless steel	standard	VH 780 EN
	low	VH 780 ENF